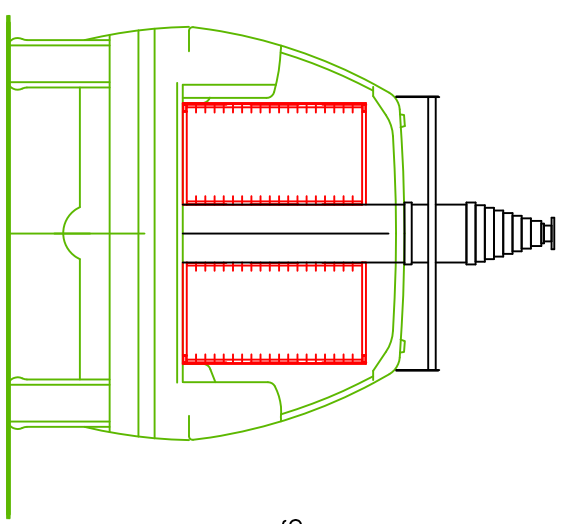
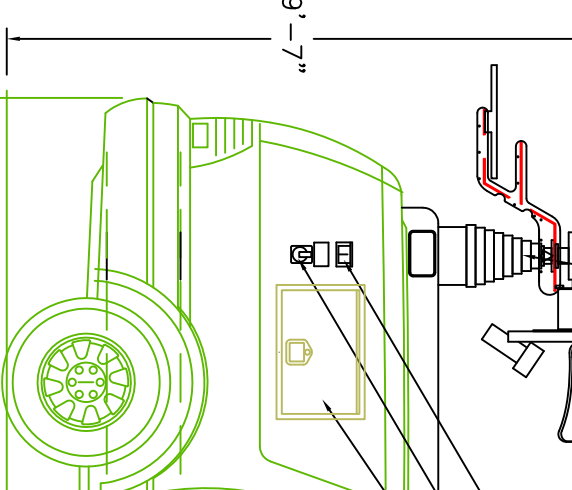


SECTION A-A

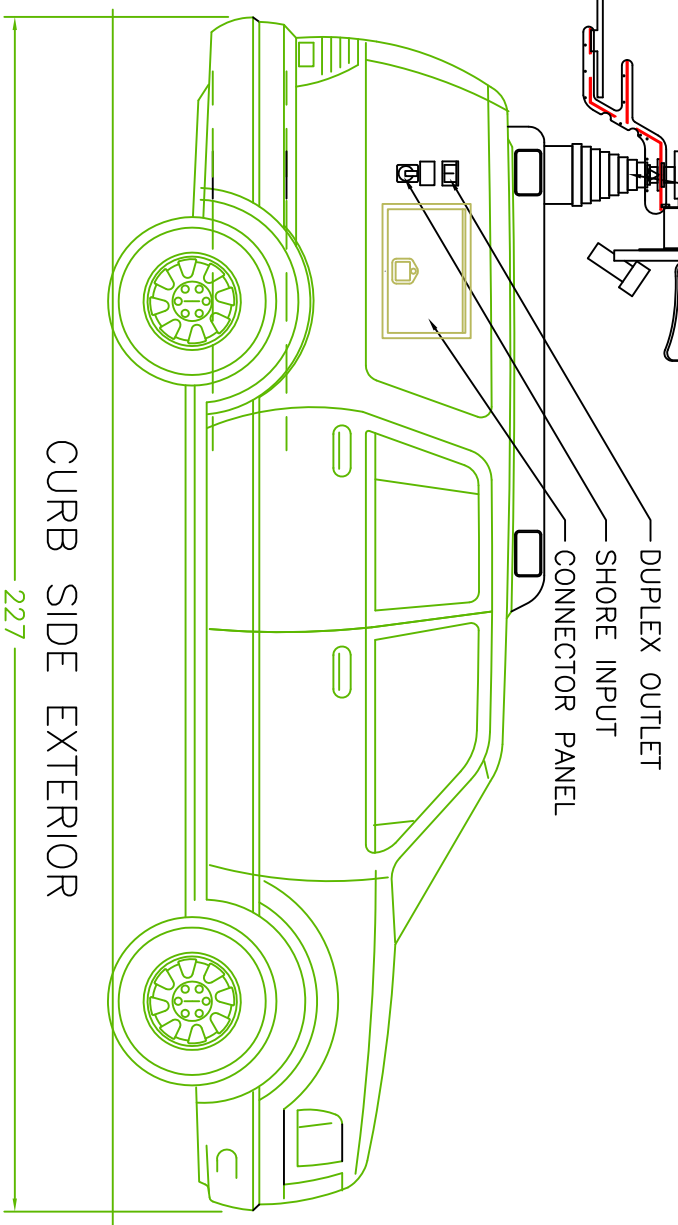


SECTION B-B



CURB SIDE EXTERIOR

227



PROJECT NAME:	EXAMPLE	TITLE:	EXPEDITION_EL LAYOUT ENG
VEHICLE:	EXPEDITION_EL	DRAWN:	MT
SOUO:	EXAMPLE/EXAMPLE	DATE:	
UNLESS OTHERWISE SPECIFIED			
DIMENSIONS ARE IN INCHES			
TOLERANCES ARE:			
FRACTIONS	DECIMALS	ANGLES	
±.102	.XX ±.02	±1/2°	
	.XXX ±.005		
This drawing and the associated specifications represent certain design concepts which are the property of and proprietary to ACCELERATED MEDIA TECHNOLOGIES and shall remain the property of ACCELERATED MEDIA TECHNOLOGIES. All rights reserved. Copyright 2010, Accelerated Media Technologies. All rights reserved.			
SCALE:	DNS	DRAWING NO.:	EXAMPLE
SHEET	x OF x		
		REV.:	C

