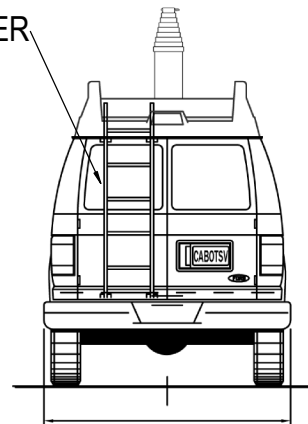
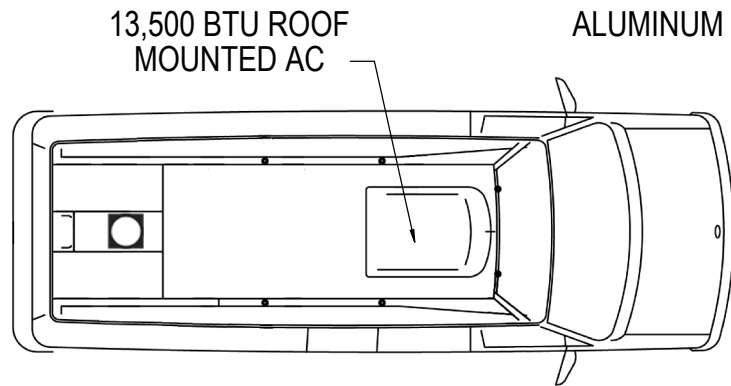
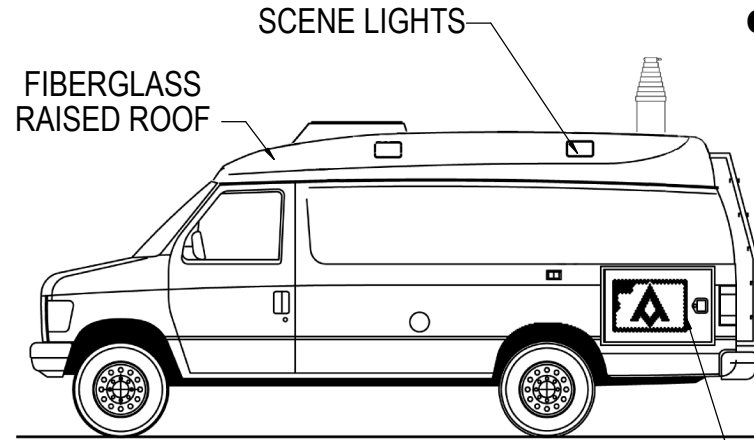
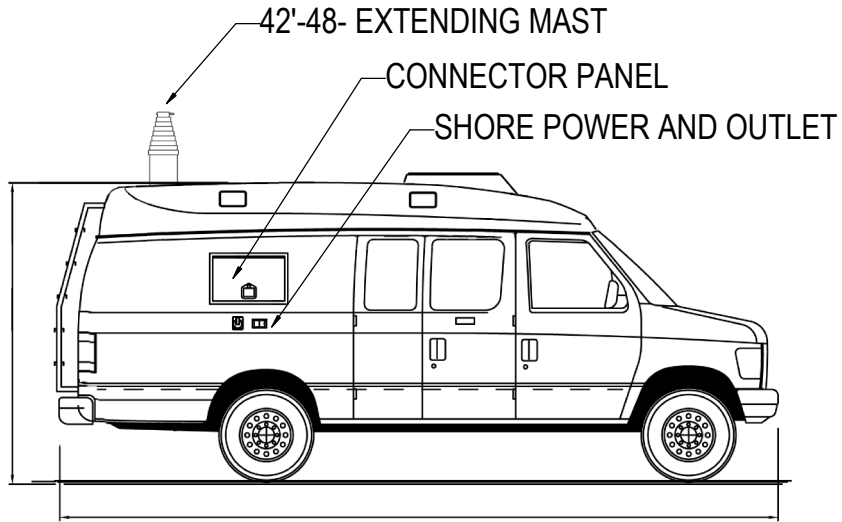
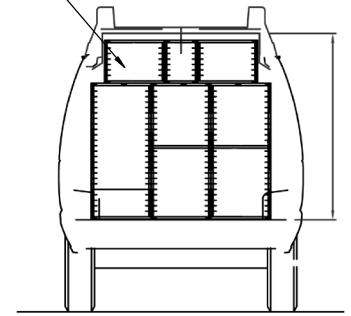
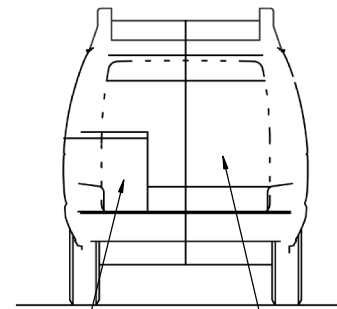


**2011 E350CT  
EXT CARGO VAN  
6.2L V10 GAS  
GVWR - 9500 lb**

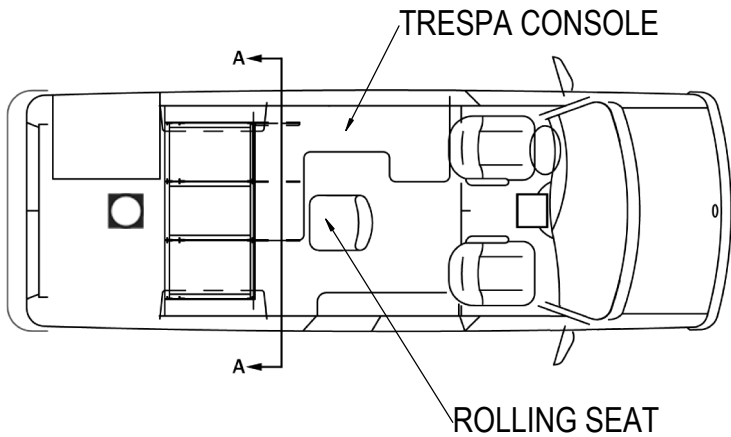


96 RU EQUIPMENT RACK

GENERATOR ACCESS DOOR



SECTION A



<p><b>Cabot</b> Coach Builders Inc.</p> <p>PROPRIETARY AND CONFIDENTIAL</p> <p>THE INFORMATION CONTAINED IN THIS DRAWING IS THE SOLE PROPERTY OF CABOT COACH BUILDERS INC. ANY REPRODUCTION IN PART OR AS A WHOLE WITHOUT THE WRITTEN PERMISSION OF CABOT IS PROHIBITED.</p>	MATERIAL	Brand	Year	Model	Groups	Descriptions	Drawn by
		I	2011	E350			-
	FINISH	PROJ MGR APP.			TITLE:		
		ENG APP.			E350 ENG COMMUNICATIONS TRUCK EXAMPLE LAYOUT		
	DO NOT SCALE DRAWING	CUST APP.			SIZE DWG. NO. REV		
	COMMENTS:				C EXAMPLE -		
					SCALE:	DATE	SHEET 1 OF 1