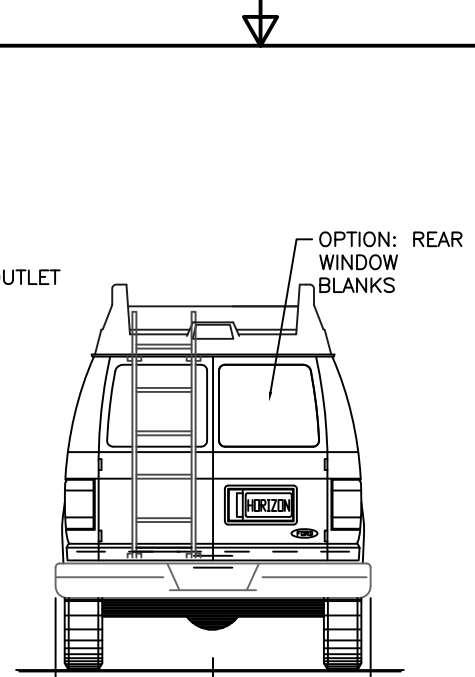
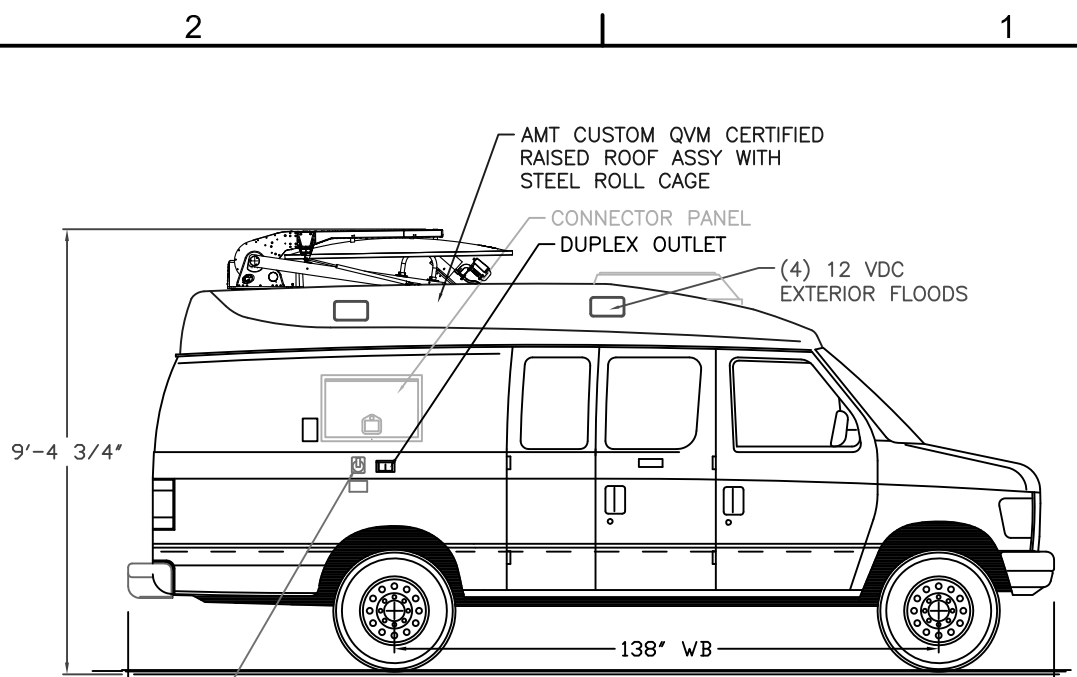


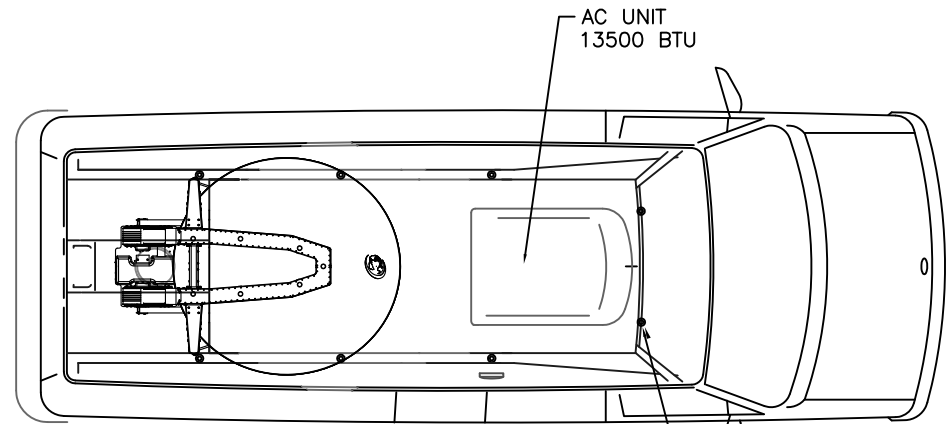
STREET SIDE EXTERIOR



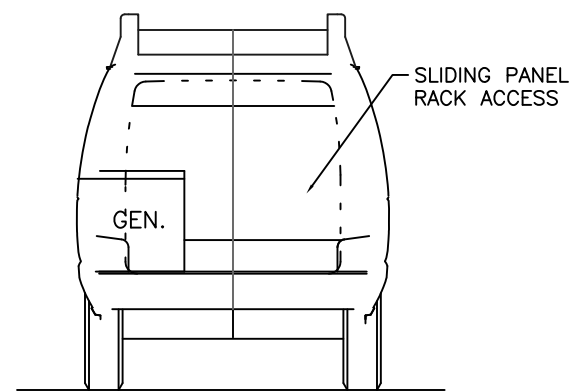
REAR EXTERIOR



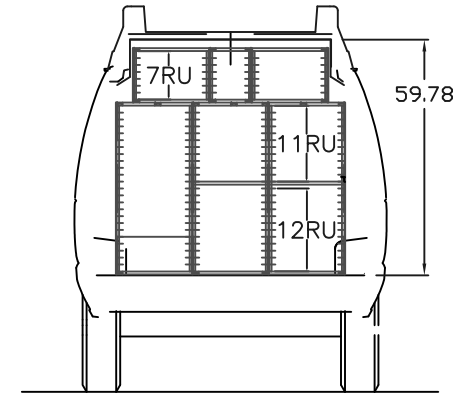
CURB SIDE EXTERIOR



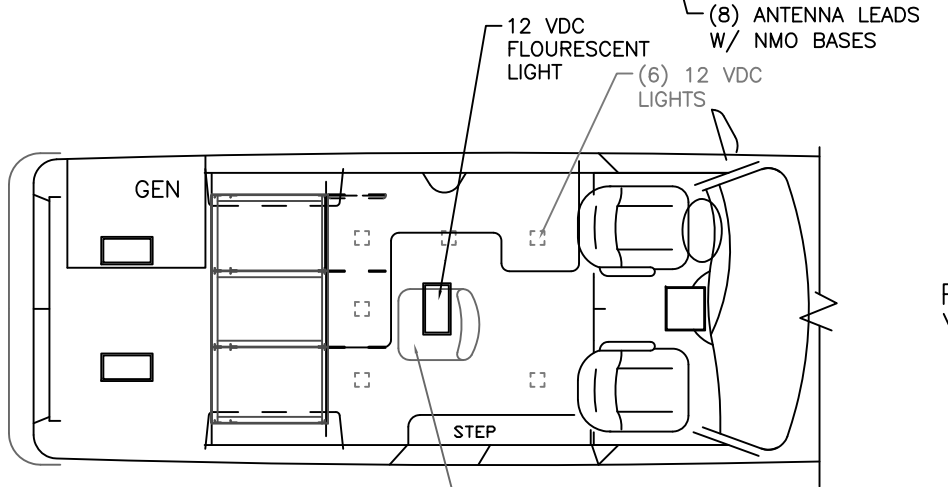
ROOF LAYOUT



SECTION A-A



SECTION B-B



PLAN VIEW

PROJECT NAME:	EXAMPLE	TITLE:	HORIZON_EXAMPLE LAYOUT FORD_E350	
VEHICLE:	HORIZON_SERIES	DRAWN:	MT	DATE:
SO/JO:	EXAMPLE/EXAMPLE	UNLESS OTHERWISE SPECIFIED		
DIMENSIONS ARE IN INCHES		This drawing and the associated specifications represent certain design concepts which are the property of and proprietary to ACCELERATED MEDIA TECHNOLOGIES and may not be reproduced or otherwise disclosed without the prior written authorization of ACCELERATED MEDIA TECHNOLOGIES.		
TOLERANCES ARE:	FRACTIONS	DECIMALS	ANGLES	SCALE: DNS
	±1/32	.XX ±.02 .XXX ±.005	±1/2"	DRAWING NO.: EXAMPLE
				REV. -



B
A

B
A

4 3 2 1

4 3 2 1

4 3 2 1

4 3 2 1